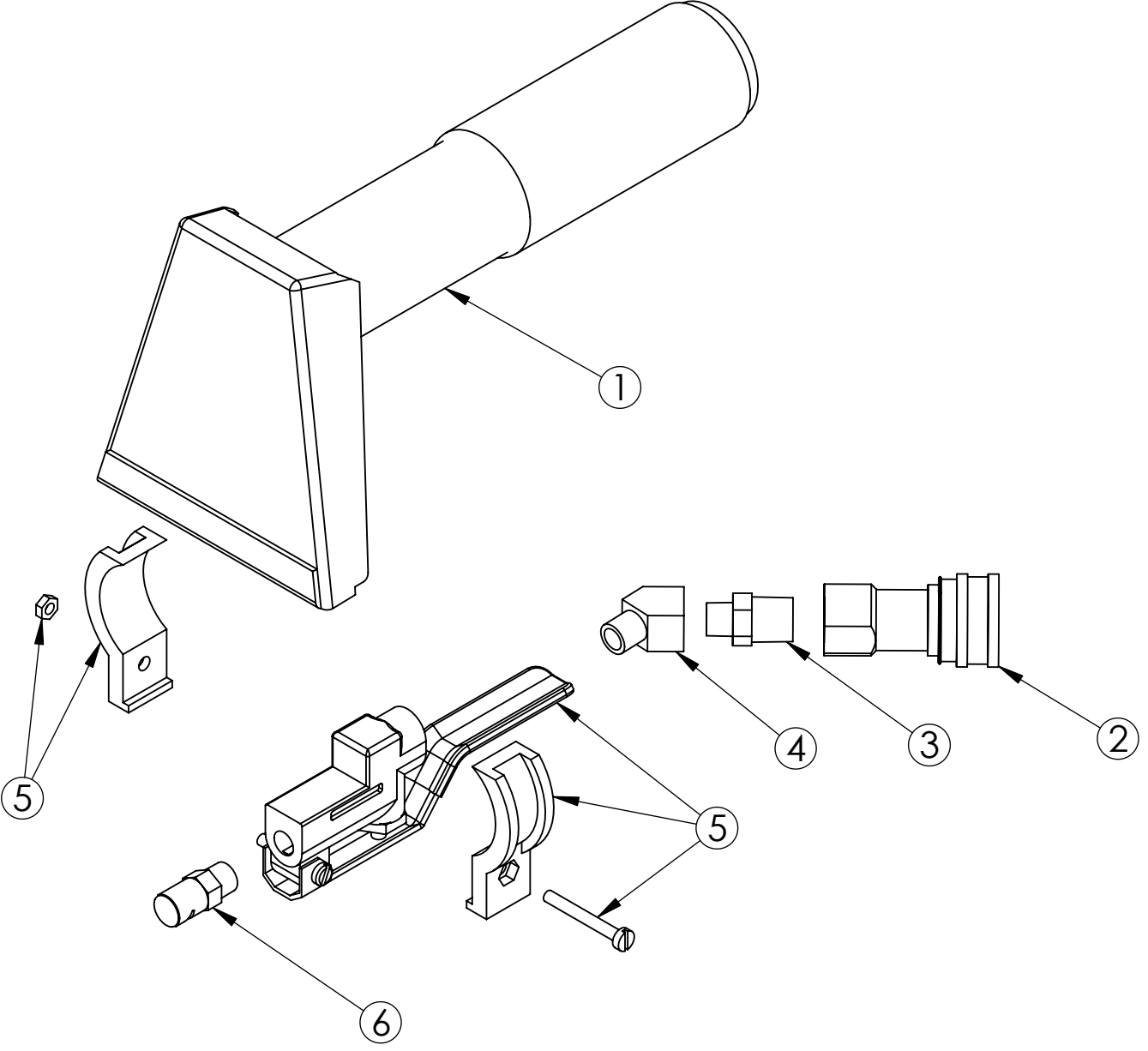


1021AC
7-25-07



ITEM NO.	PART NUMBER	DESCRIPTION	QTY.
1	D12948	Stainless Steel Handle w-Sleeve	1
2	A00102	QD, 1-4F X 1-4FP	1
3	A00114B	1-4MP X 1-8MP, Brass	1
4	A00053-18	45 Elbow, 1-8MP X 1-8FP, Brass	1
5	11593A	Valve, Hanger Assy	1
6	A00095-5	Spray Tip	1

1021AC
7-25-07