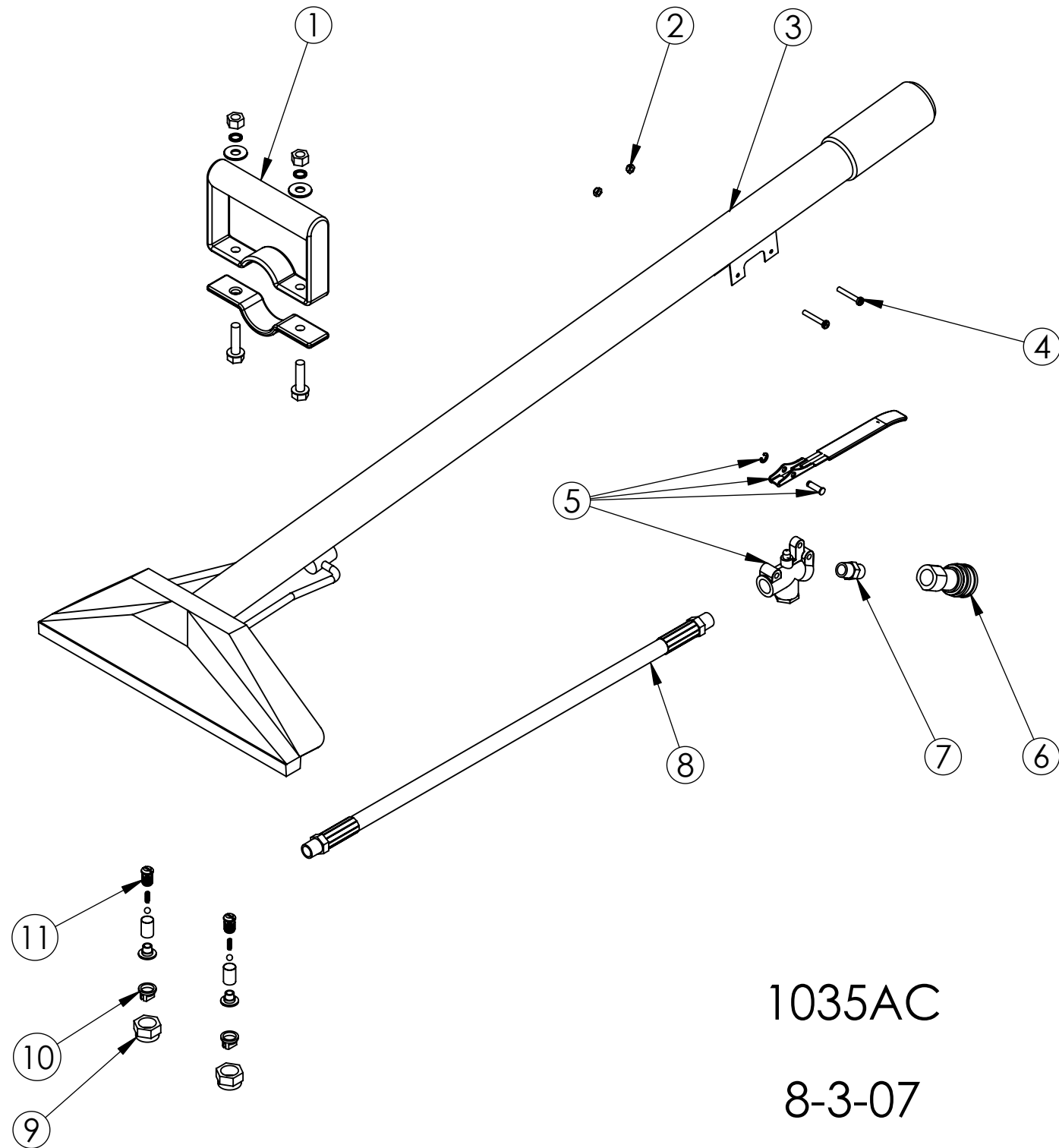


1035AC

8-3-07



ITEM NO.	PART NUMBER	DESCRIPTION	QTY.
1	81033AC Handle Assy		1
2	C02320 Locknut, 8-32, Nylon		2
3	D12975 Handle W - Black Sleeve		1
4	C10785 Screw, 8-32 X 1 in		2
5	G00526-1 Kingston Valve, .25 in.		1
6	A00102 QD, 1-4F X 1-4FP		1
7	A12992 Nipple, .25MP X .25MP Hex, Brass		1
8	00580-18in-A Hose Assy, 18 in lg X .25 in dia, High Pressure		1
9	A00094D Checkvalve Cap		2
10	A00094A-9 Spray Tip Only, 11015, TeeJet		2
11	A00094B Checkvalve W - Strainer		2

1035AC

8-3-07