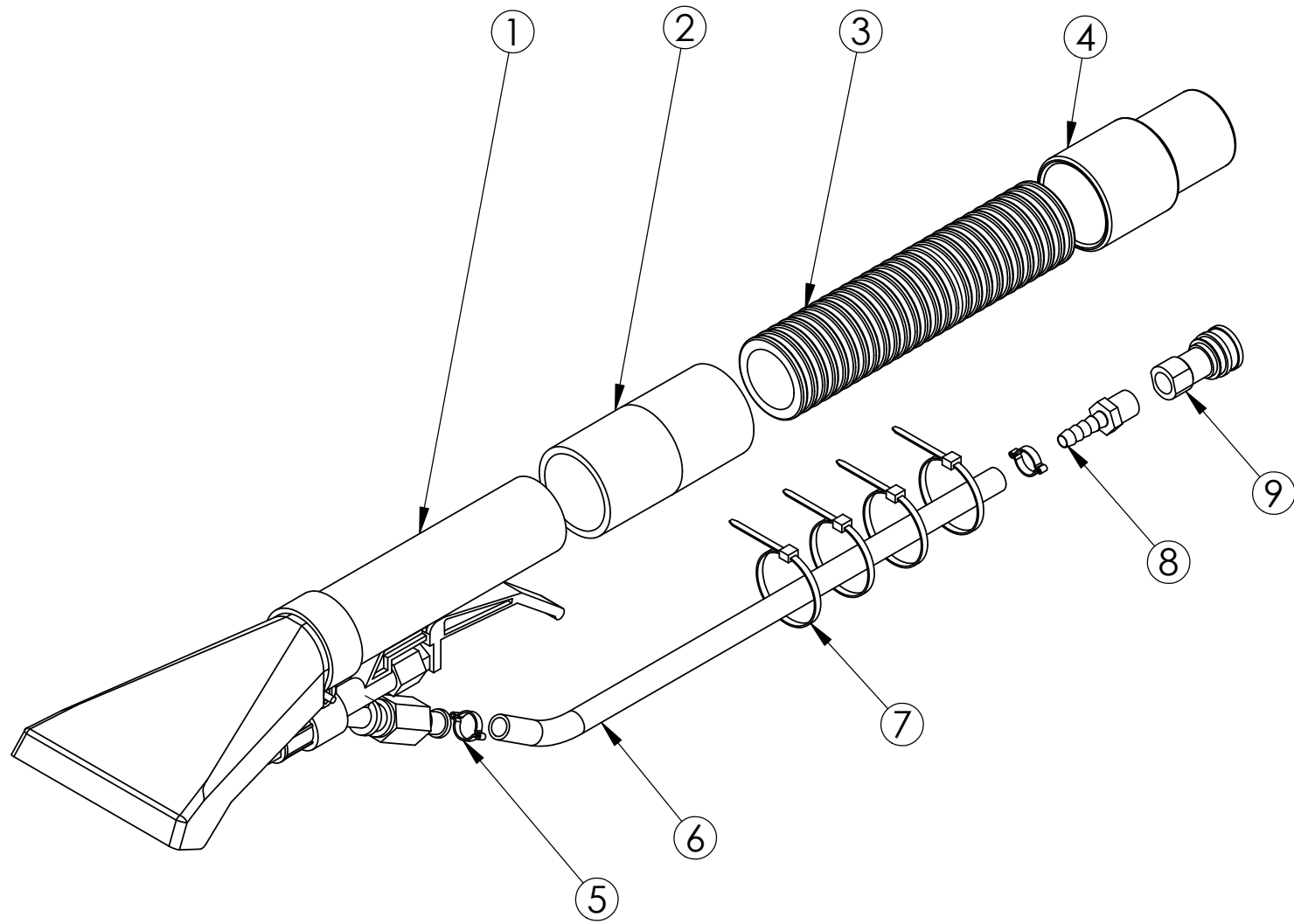


319ACG  
3-28-07



ITEM NO.	PART NUMBER	DESCRIPTION	QTY.
1	318AC Upholstery Tool, Plastic		1
2	J00579 Expanding Cuff		1
3	J00620-1 Vacuum Hose, 1.25 X 8' Gray		1
4	J00626-1 Cuff, 1.25 in, Gray		1
5	J00635 Oetiker Clamp, 1-2		2
6	J00596 Solution Hose, 1-4 X 9', Braided		1
7	B00191 Nylon Tie		4
8	A00139 1-4 MP X 1-4 Barb, Brass		1
9	A00102 QD, 1-4 Female X 1-4 FP, Brass		1

319ACG  
3-28-07