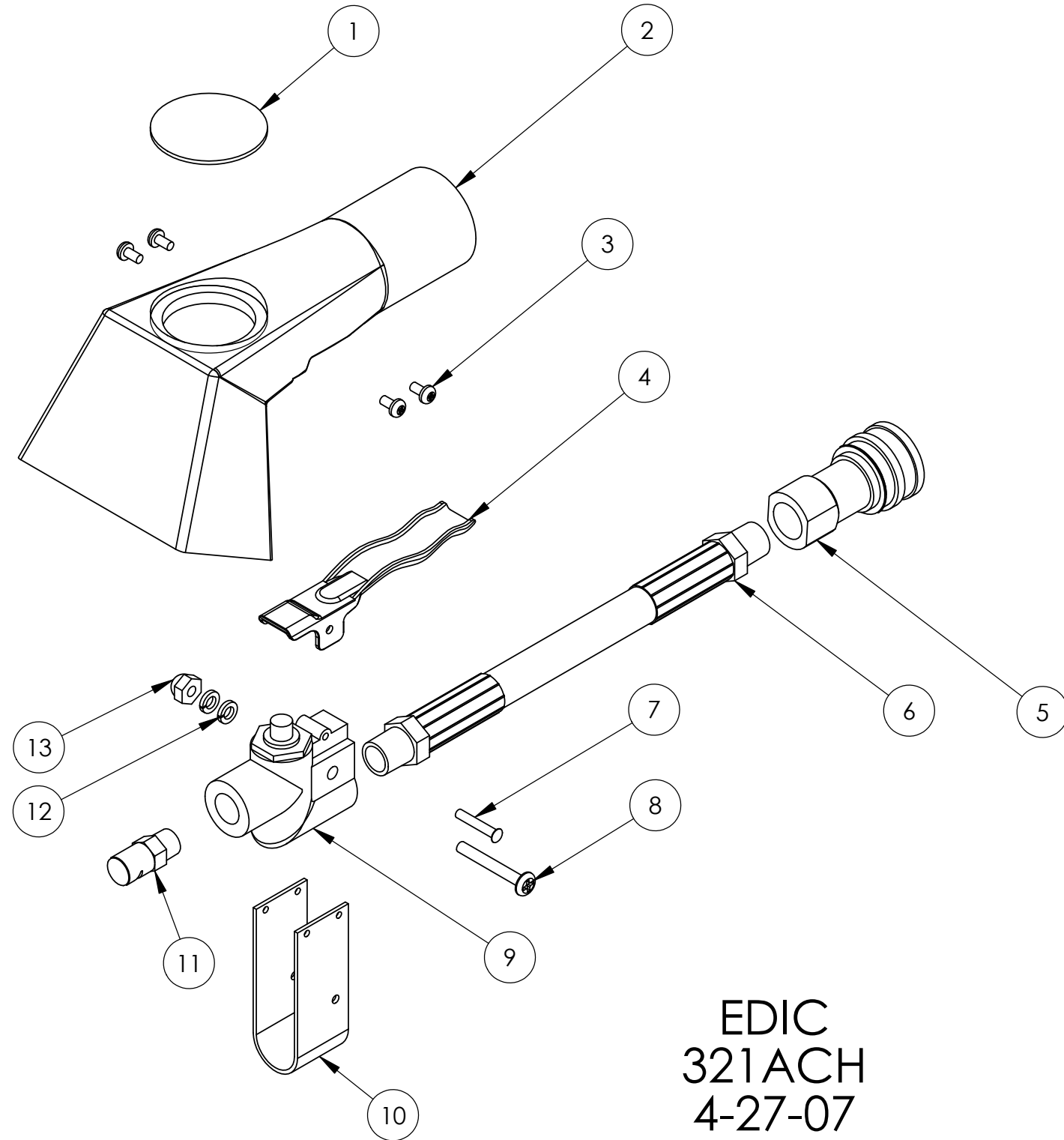


EDIC
321ACH
4-27-07



EDIC
321ACH
4-27-07

ITEM NO.	PART NUMBER	DESCRIPTION	QTY.
1	F00495 Window, 3 1-2		1
2	D00338B Upholstery Tool, 1.5 in X 3.5 in, Black		1
3	C00297 #8 X .25 Pan Head		4
4	D00352-1 Valve Handle, Short, SS		1
5	A00102 QD, 1-4F X 1-4FP		1
6	00580-38IN-A Hose ASM. 38 in. lg. X .25 in. Dia., High Pressure		1
7	C00303 Rivet, 1-8 X 3-4 Tubular		1
8	C00312-1 Screw, 10-32 X 1.25		1
9	G11603 Valve, Power Head, High		1
10	D00353 PH Valve Bracket, Grey		1
11	A00095-9 Spray Tip, 1-4K-2		1
12	C02249 Lockwasher, #10 Int. Str, SS		2
13	C02276 Cap Nut, 10-32, Black		1