



AQUA-DRI Owner's Manual & Parts List

This equipment is intended for commercial use only



AQUA-DRI MODELS

3007ADN ♦ 3007AD-CCN

1753 Blake Avenue ♦ Los Angeles, CA 90031 ♦ 1-(800)-338-EDIC, or in CA 1-(323)-660-1635 ♦ Fax 1-(323)-667-0144

BEFORE OPERATING THIS MACHINE

Read this manual carefully and completely before attempting to operate this unit. This manual has important information for the use and safe operation of the machine. Keep this manual handy at all times. This machine will assure years of satisfactory service if operated and maintained according to recommendations in this manual. If additional information is needed, please contact EDIC at 1-800-338-EDIC or write to:

EDIC
1753 Blake Ave.
Los Angeles, CA 90031

Electrical – 120 Volt

This machine is designed to operate on a standard 15 amp, 120volt, 60 Hz, AC circuit. Voltages below 105 volts AC or above 125 volts AC could cause serious damage to the motor.

Electrical – 240 Volt

This machine is designed to operate on a standard 10 amp, 240 volt, 50 Hz, AC circuit

IMPORTANT SAFETY INSTRUCTIONS, READ AND SAVE THESE INSTRUCTIONS BEFORE USING

DANGER!

- Improper connection of the equipment – grounding conductor can result in a risk of fire, electric shock or injury to person.

Check with a qualified electrician or service person if you are in doubt as to whether the outlet is properly grounded. Do not modify the plug provided with the air mover – if it will not fit the outlet, have a proper outlet installed by a qualified electrician.

WARNING!

- This equipment is not designed to handle or use combustible / volatile substances such as gasoline or kerosene, in, on, or near the machine. The use of such materials will cause an extreme hazardous condition.
- Disconnect the power cord from the outlet before servicing.
- Do not immerse or use this machine in standing water. Such use may cause electric shock.
- Ensure children do not have access to the equipment. Do not allow children to play with or near the unit or in its air flow.
- Do not use with damaged cord or plug. If air mover is not working as it should, has been dropped, damaged, left outdoors, or dropped into water, return it to a qualified service center.
- Do not operate any fan with a damaged cord or plug. Discard fan or return to a qualified service facility for examination and/or repair.
- When using an extension cord, use only a 3-prong conductor grounding cord- 12 gauge wire or heavier.

- Do not run cord under carpeting. Do not cover cord with throw rugs, runners or similar coverings. Do not route cord under furniture or appliances. Arrange cord away from traffic area and where it will not be tripped over.
- Repairs only allowed by a qualified service center. Do not attempt to disassemble or repair the unit if you are not qualified to do so.
- Never operate with the safety grills removed. Personal injury may result.
- To avoid electric shock, do not expose the machine to rain. Store it indoors only.
- Do not expose the machine to freezing temperatures.
- Do not move or carry the unit while it is turned on.
- Do not pull or carry by the cord, use cord as a handle, close a door on the cord, or pull cord around sharp edges or corners.
- Keep cord away from heated surfaces.
- Do not unplug by pulling on cord. To unplug, grasp the plug, not the cord.
- Do not handle plug or air mover with wet hands.
- Do not put object into openings. Do not use with any opening blocked; keep free of dust, lint, hair and anything that may reduce air flow.
- Keep hair, loose clothing, fingers and all parts of the body away from the openings and moving parts.
- Turn off all controls before unplugging the unit.
- Connect to a properly grounded outlet only. *See grounding instructions.*
- Operate unit on level and stable surface to prevent it from falling and possibly causing injury.
- Do not drop or throw the unit. Treatment of this type can cause damage to the components and create a hazardous condition.
- To reduce the risk of fire or electric shock, do not use this air mover with any solid-state speed control devices.

FAILURE TO COMPLY WITH ABOVE WARNING INSTRUCTIONS WILL VOID THE WARRANTY

Grounding Instructions

The 120V A/C and the 240V A/C models have been outfitted with the appropriate grounded connectors. Make sure the machine is connected to a grounded outlet having the same configuration as the grounded plug. No adaptor should be used with this machine. **Any modification to the connectors will void the warranty.**

Ground Fault Circuit Interrupter

The GFCI, or ground fault circuit interrupter is designed to protect the user of the machine. If the GFCI detects a ground fault, it will interrupt the electrical current. The GFCI will trip when a short circuit or circuit overload occurs. If the GFCI on your unit should trip, unplug the unit and inspect for hazards such as a damaged electrical cord or standing water that could cause an electrical surge. Plug the unit into an alternate outlet and push the reset button to make sure the unit is operating. If so, continue use of the machine. If the unit does not turn back on, call EDIC at 1-800-338-3342.

OPERATING PROCEDURES

Plug the Aqua Dri into a standard grounded outlet with correct voltage and amperage. Turn on the switch and check that the unit operates properly before leaving it unattended. *Do not carry or move the Aqua Dri when it is running.*

Auxiliary Outlet

The “daisy chain” outlet allows for the connecting of up to 3 EDIC Aqua-Dri 3007ADN machines to maximize drying efficiency and circuit breaker usage. The red circuit breaker switch is installed in order to protect the machine. This circuit breaker turns off the unit when more than 9 amps are run through the on-unit circuit.

MAINTENANCE

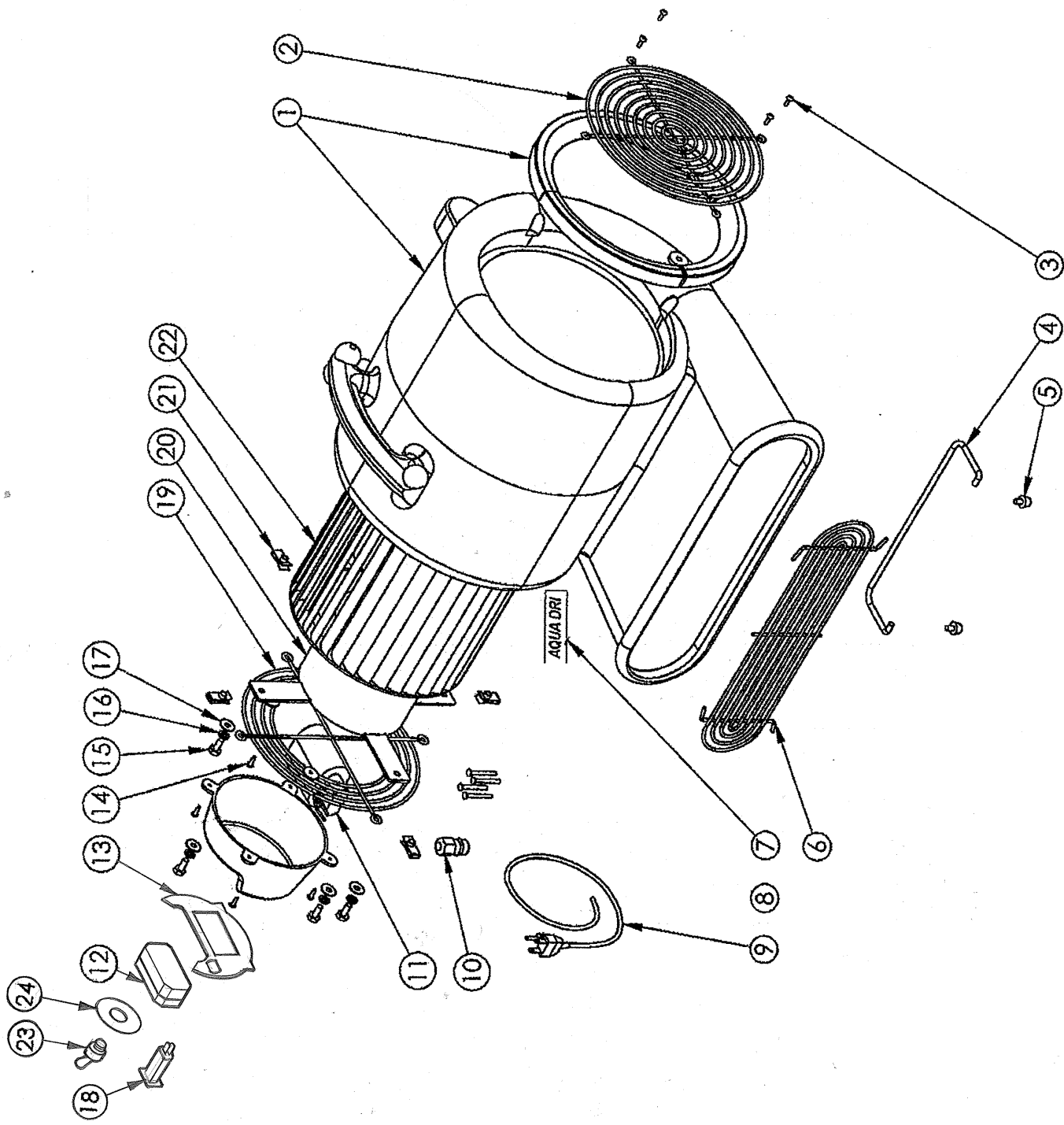
1. Disconnect the power cord from the outlet before performing this maintenance procedure.
2. Inspect the electrical cord and wiring for damage or discoloration.
3. Inspect for loose fasteners.
4. Clean screens on the sides and front of the unit.
5. Listen for abnormal sounds.
6. Always keep the machine clean inside and out.
7. Motor does not require lubrication.

PERIODIC MAINTENANCE

Use compressed air or a vacuum to remove lint, etc., from the motor, screen or blower. Do not wet the motor or the wiring. Do not use a pressure washer to clean the unit.

TROUBLE SHOOTING

<i>PROBLEM</i>	<i>PROBLEM CAUSE</i>
<i>ELECTRICAL SYSTEM</i>	
Does not turn on	<ol style="list-style-type: none">1. Defective power cord.2. House or building circuit breaker tripped.3. Switch is defective.4. Capacitor is defective.
Does not operate at all speeds	<ol style="list-style-type: none">1. Switch is defective.2. Capacitor is defective.
Blower wheel rubs	<ol style="list-style-type: none">1. Wheel is out of round.
Unit makes abnormal sounds	<ol style="list-style-type: none">1. Defective motor.2. Foreign object stuck.



EDIC DAISY CHAIN AQUA-DRI 3007ADN

PARTS LIST

#	PART NUMBER	DESCRIPTION	QTY
1	F13504-BLUE-GFCI	PLASTIC HOUSING	1
2	D11774	INTAKE GRILL	1
3	C11893	8 X .5 PAN PHILLIPS, BLACK	4
4	D11778	KICKSTAND	1
5	E11841	GROMMET	2
6	D11773	FRONT GRILLE	1
7	H02545	LABEL, AQUA-DRI	1
8	N/A	N/A	N/A
9	B10719	POWER CORD, 16/3, 25'	1
10	B11821	STRAIN RELIEF	1
11	B13511	CAPACITOR, ATTACHED TO MOTOR	1
12	B12914	GROUND FAULT CIRCUIT INTERRUPTER	1
13	D13219	PLATE, GFCI	1
14	C13026	8 X 32 X .63 PAN PHILLIPS, BLACK	4
15	C00314-1	HEX BOLT, 1-4 X 20 X .63	4
16	C00254	LOCK WASHER, 1-4 IN SPLIT	4
17	C00233	FLAT WASHER, .25 IN	4
18	B13234	CIRCUIT BREKAER, 9 AMP	1
19	D11775	MOTOR GRILLE	1
20	G13553	MOTOR, 1/3 HP, 2 SPEED	1
21	C00267-1	U-NUT, 1-4 20	4
22	G11826	FAN WHEEL	1
23	B13660	TOGGLE SWITCH	1
24	H13765	LABEL, TWO SPEED	1

NOTES



REVISED 08-20-2013