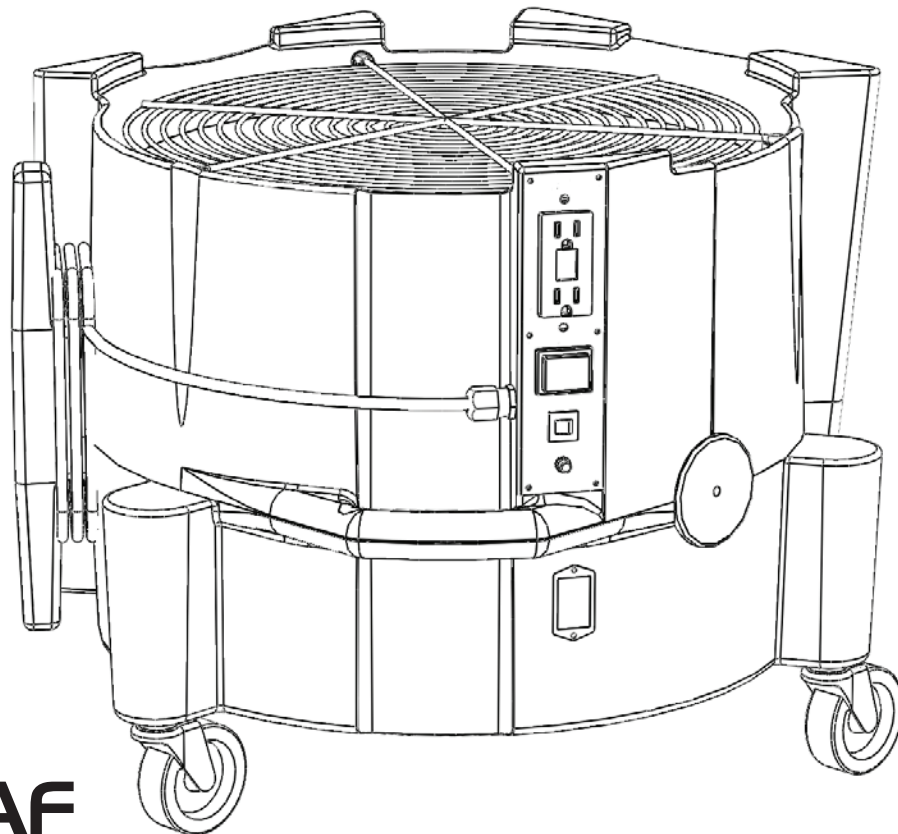


# AVIATOR

---

# OWNER'S MANUAL & PARTS LIST

This equipment is intended for commercial use only.



**3009AF**

**3009AF-W**



## **BEFORE OPERATING THE MACHINE**

Read the manual carefully and completely before attempting to operate the unit. This manual has important information for the use and safe operation of the machine. Keep this manual handy at all times. This machine will assure years of satisfactory service if operated and maintained according to recommendations in this manual. If additional information is needed, please contact your local distributor or write to:

EDIC  
1753 Blake Avenue  
Los Angeles, CA 90031-1006

### **Electrical 115 Volt**

This machine is designed to operate on a standard 15 amp., 115 volt, 60 Hz, AC circuit. Voltages below 105 volts AC or above 125 volts AC could cause serious damage to the motor.

### **Electrical 240 Volt**

This machine is designed to operate on a standard 10 amp., 230 volt, 50 Hz, AC circuit.

## **IMPORTANT SAFETY INSTRUCTIONS READ AND SAVE THESE INSTRUCTIONS BEFORE USING**

### **DANGER**

- Improper connection of the equipment's grounding conductor can result in a risk of fire, electric shock or injury to person.

Check with a qualified electrician or service person if you are in doubt as to whether the outlet is properly grounded. Do not modify the plug provided with the air mover if it will not fit the outlet. Have a proper outlet installed by a qualified electrician.

### **WARNING**

- This equipment is not designed to handle or use combustible/volatile substances such as gasoline or kerosene, in, on, or near the machine. The use of such materials will cause an extreme hazardous condition.
- Do not immerse or use this machine in standing water. Such use may cause electric shock.
- Disconnect the power cord from the outlet before servicing.
- Ensure that children do not have access to the equipment. Do not allow children to play with or near the unit or in its air flow.
- Do not use with damaged cord or plug. If air mover is not working as it should, has been dropped, damaged, left outdoors, or dropped into water, return it to an authorized service center.
- Repairs are only allowed by a qualified service center. Do not attempt to disassemble or repair the unit if you are not qualified to do so. For information about authorized repair, call EDIC at (800) 338-3342.

- When using an extension cord, use only a 3-prong conductor grounding cord 12 ga. wire or heavier.
- Check GFCI protection before each use by pushing the “test” button. If operating properly the “reset” button will pop out.
- Never operate with the safety grills removed. Personal injury may result.
- Do not plug more than 9.0 amps total into the GFCI outlet.
- To avoid electric shock, do not expose the unit to rain. Store it indoors only.
- Do not expose machine to freezing temperatures.
- Do not move or carry the unit when it is turned on.
- Do not pull or carry by the cord, use cord as a handle, close a door on the cord, or pull cord around sharp edges or corners.
- Keep cord away from heated surfaces.
- Do not unplug by pulling on cord. To unplug the unit, grasp the plug, not the cord.
- Do not handle plug or air mover with wet hands.
- Do not put object into openings. Do not use with any opening blocked; keep free of dust, lint, hair and anything that may reduce air flow.
- Keep hair, loose clothing, fingers and all parts of the body away from openings and moving parts.
- Turn off all controls before unplugging.
- Connect to a properly grounded outlet only. See grounding instructions.
- Operate unit on level and stable surface to prevent it from falling and possibly causing injury.
- Do not drop or throw the unit. Treatment of this type can cause damage to the components and create a hazardous condition.
- To reduce the risk of fire or electric shock, do not use this air mover with any solid-state speed control devices.

**FAILURE TO COMPLY WITH THE ABOVE WARNING INSTRUCTION  
WILL VOID THE WARRANTY.**

**GROUNDING INSTRUCTIONS:**

The 120 V. A/C and the 220 V. A/C models have been outfitted with the appropriate grounded connectors. Make sure the machine is connected to a grounded outlet having the same configuration as the grounded plug. No adaptor should be used with this machine. Any modification to the connectors will void the warranty.

## **INTENDED USE:**

The Aviator is designed to blow air across wet surfaces for speed drying. The high-volume airflow from the Aviator increases the rate of evaporation, helps prevent mold growth, and reduces the risk of additional moisture damage.

## **POSITION SWITCH:**

The 3-position drying mode selector switch is used to select the Aviator's mode of operation. The 3 modes of operation are OFF, LOW or HIGH.

## **GFCI Protection and the OnBoard Duplex Vac Outlet:**

The standard AC voltage outlet GFCI (Ground Fault Circuit Interrupter) protection promotes operator safety in wet applications. GFCI devices trip when a fault to electrical "ground" is sensed.

It is recommended to check the GFCI protection prior to operation. To check, push the "TEST" button located of the GFCI duplex outlet. If operating properly, the "RESET" button on the GFCI will pop out.

This duplex AC outlet allows the Interconnection of the other AC powered devices. The sum total amperage of all devices plugged into the receptacle must not exceed 9 amps.

## **DAISY CHAINING:**

The Aviator draws 2.3 amps. The 12 amp onboard circuit breaker will allow four (4) Aviators on one circuit. **Five (5) is too many for one circuit.** When daisy chaining the Aviator, turn on one Aviator at a time to prevent excessive current inrush caused by four units starting at once.

A ground fault in the Aviator or anywhere on the circuit will cause the Aviator's GFCI to trip. After rectifying the ground fault, reset the GFCI by pressing the reset button.

## **OPERATING PROCEDURES:**

Plug the Aviator into a standard grounded outlet with correct voltage and amperage. Turn on the switch and check that the unit operates properly before leaving it unattended. Do not carry or move the Aviator when it is running.

## **MAINTENANCE:**

1. Disconnect the power cord from the outlet before performing this maintenance procedure.
2. Inspect the electrical cord and wiring for damage or discoloration.
3. Inspect for loose fasteners.
4. Clean screens on the side and front of the unit.
5. Listen for abnormal sounds.
6. Keep unit clean.
7. Motor does not require lubrication.

## PERIODIC MAINTENANCE:

Use compressed air or a vacuum to remove lint, etc, from the motor, screen or blower. Do not wet the motor or the wiring. Do not use a pressure washer to clean the unit.

## TROUBLESHOOTING

### ...MOTOR WON'T RUN

<b>POSSIBLE CAUSE</b>	<b>SOLUTION</b>
No power to unit...	Plug in the unit; check circuit breaker or fuse.
Switch not turned on...	Turn on the switch.
Switch is defective...	Call your local distributor for a replacement.
Defective power cord...	Call you local distributor for a replacement.
Capacitor is defective...	Call your local distributor for a replacement.
Fan blade jammed...	Turn machine off, remove material jamming blade.
Intake or exhaust grill blocked...	Turn machine off, allow to cool, remove blockage.
Loose wiring...	Check wiring and tighten as needed.

### ...MOTOR RUNS BUT BLADE SCRAPES

<b>POSSIBLE CAUSE</b>	<b>SOLUTION</b>
Severe jolt has caused motor mount to bend and fan blade to rub...	Remove motor from housing, then replace or repair bent motor mount.

### ...UNIT VIBRATES EXCESSIVELY

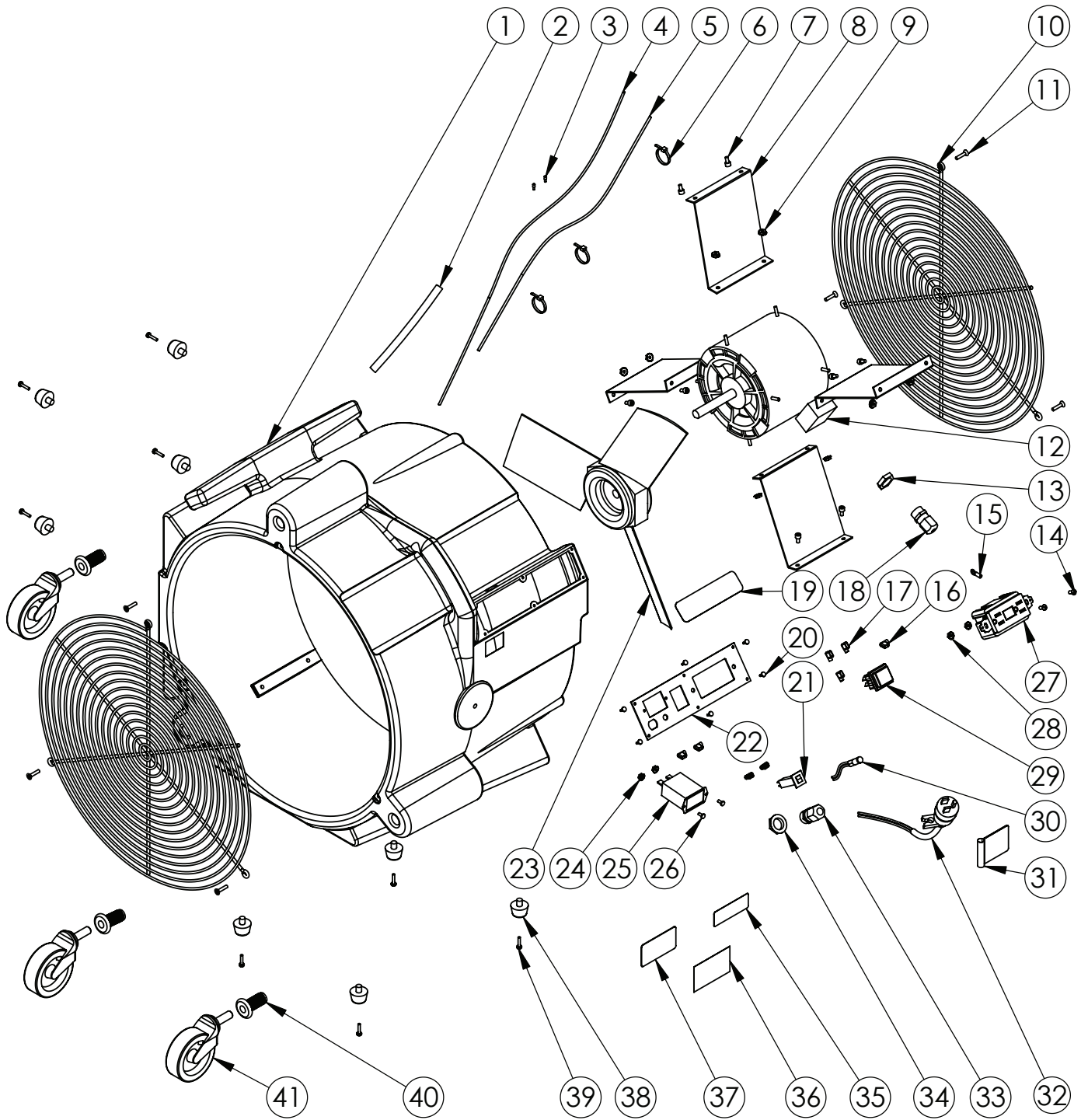
<b>POSSIBLE CAUSE</b>	<b>SOLUTION</b>
Accumulation of soil on fan blade...	Clean fan blade.
Fan blade has lost balance...	Balance or replace fan blade.
Fan blade has been bent...	Replace fan blade.
Bent motor shaft...	Replace motor.

### ...DOES NOT OPERATE AT ALL SPEEDS

<b>POSSIBLE CAUSE</b>	<b>SOLUTION</b>
Switch is defective...	Call your local distributor for a replacement.
Capacitor is defective...	Call your local distributor for a replacement.

### ...UNIT MAKES ABNORMAL SOUNDS

<b>POSSIBLE CAUSE</b>	<b>SOLUTION</b>
Defective motor...	Call your local distributor for a replacement.
Foreign object stuck...	Remove material jamming blade.



3009AF-W  
7-7-08

# 3009AF-W

ITEM #	PART #	DESCRIPTION	QTY
1.	F-12111-1	Green Housing - Axial Fan	1
2.	F00463-2	Corrugated Loom, .25 x 6 in	1
3.	B13095	Bullet splice, 16-10 AWG	2
4.	B00185-40	Wire, 14GA Black, UL1015, 25 in	1
5.	B00185-30	Wire, 14GA White, UL1015, 015,18 in	1
6.	B00190	Nylon Tie, 4 in	3
7.	C13122	10-24 X .375 SHCS, SS	8
8.	D12133	Bracket, Motor Mount, Fan	4
9.	C13025	Hex Nut, 10-32 W-Star	8
10.	D12112	Grille, Axial Fan	2
11	C13093	#8 X .75 Phil, Flat	6
12	G12117	Motor, Axial Fan, 110V	1
13	B02214	Strain Relief Nut, (O)	1
14	C00310-38	Screw, 8-32 X .375 RH Mach	2
15	B00180-10-3	Ring Terminal, #10 Center	1
16	B11720	Flag Connector (Yellow)	1
17	B10980	Flag Connector (Blue)	7
18	B02212	Strain Relief W-Nut, (O)	1
19	H11831	Label, EDIC, Black-Silver	1
20	C13090	#6 X .375 Phil Pan	6
21	B12120	Circuit Breaker, 12 AMP	1
22	D13049	Switch Plate, Axial Fan	1
23	G12129	Fan, Axial, 40 Degree	1
24	C13119	Hex Nut, 6-32 KEP	2
25	B12976	Hour Meter, 110-220V	1
26	C13118	6-32 X .375 Phil	2
27	B12914	Ground Fault Interrupter	1
28	C13120	Hex Nut, 8-32 KEP	2
29	B11751	Switch, Rocker, DPDT, Black	1
30	B11756	Indicator Light, Green	1
31	H02548-2	Label, Important	1
32	B10719	Power Cord, 25', 16-3	1
33	B11821	Strain Relief, Aqua Dri	1
34	B11832	Strain Relief Nut	1
35	H13031	Label, Electric Shock	1
36	H03545	Cover, Serial # Label	1
37	H00565-5	Label, Serial Number	1
38	K13076	Bumper, Foot, WSteel	8
39	C13092	10-24 X .75 Phil Pan Head	8
40	G13075	Socket for Swivel Caster	3
41	G13074	Caster, Swivel, 3 X .187 in	3



1753 Blake Avenue ☐ Los Angeles, CA 90031 ☐ (800) 338-EDIC Or (323) 660-1635 ☐ Fax (323) 667-0144  
ZF13167