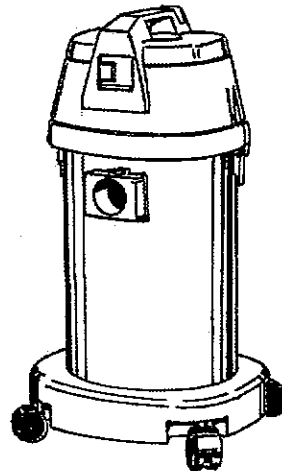
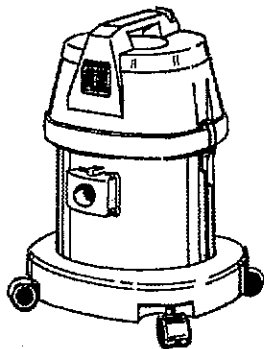
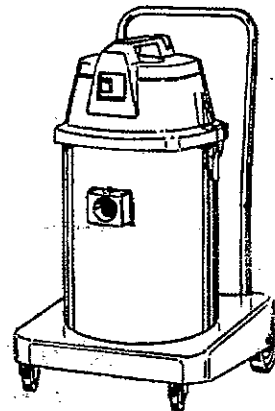
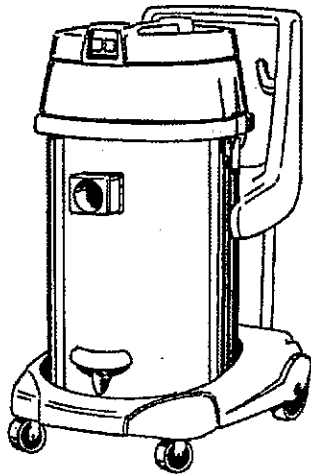


DYNAMO WET/DRY VACUUMS

OWNER'S MANUAL & PARTS LIST

This equipment is intended for commercial use only.



DYNAMO MODELS 5W, 5WS, 8W, 8WS, 12W, 12WS, 20W, 20WS

The logo for EDIC, featuring the letters 'EDIC' in a bold, stylized font with horizontal lines through the letters.

BEFORE OPERATING THE MACHINE

Read the manual carefully and completely before attempting to operate the unit. This manual has important information for the use and safe operation of the machine. Keep this manual handy at all times. This machine will assure years of satisfactory service if operated and maintained according to recommendations in this manual. If additional information is needed, please contact your local distributor or write to:

EDIC
1753 Blake Ave
Los Angeles, CA 90031-1006

All information and specifications printed in the manual and parts list are current at the time of printing; however, because of EDIC's policy of continual product improvement, we reserve the right to make changes at any time without notice.

WARNING

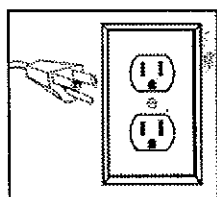
- The machine was designed for use as per instructions and recommendations written in this manual. Any deviation from its proper use or purpose and the consequential damage that may occur is the sole responsibility of the end user.
- Use only manufacturer recommended attachments.
- Disconnect the power cord from the outlet before servicing. Do not leave machine connected to an electrical outlet when unattended.
- The cord on the machine should not be used to pull or carry the machine. Keep away from hot surfaces, sharp edges or corners. Do not close the door on the cord or run the machine over the cord.
- Do not immerse or use this machine in standing water. Such use may cause electric shock.
- This equipment is not designed to handle or use combustible/volatile substances such as gasoline or kerosene, in, on, or near the machine. The use of such materials will cause extremely hazardous conditions.
- To unplug the machine, grasp the plug not the cord. Avoid pulling cord.
- When using an extension cord, use only a 3 conductor grounding cord- 14 ga wire or heavier.

- Keep openings free of any objects, such as dust, lint or hair which may reduce airflow. Avoid use if openings are blocked:
- To avoid electric shock, do not expose the unit to rain. Store it indoors only.
- Avoid picking up cigarettes, matches, hot ashes, or anything that is smoking or burning.
- Do not expose machine to freezing temperatures.
- All repairs must be done by an authorized EDIC repair station.
- Do not use replacement parts other than those specified in the parts list.

FAILURE TO COMPLY WITH THE ABOVE WARNING INSTRUCTIONS WILL VOID THE WARRANTY.

OPERATING THE MACHINE

1. Dry Operation- Make sure cloth filter is in place.
2. Wet Operation- Remove cloth filter. Make sure the float assembly is attached to the vacuum head.
3. Attach vacuum hose and accessory tools.
4. Connect machine to a grounded electrical outlet.

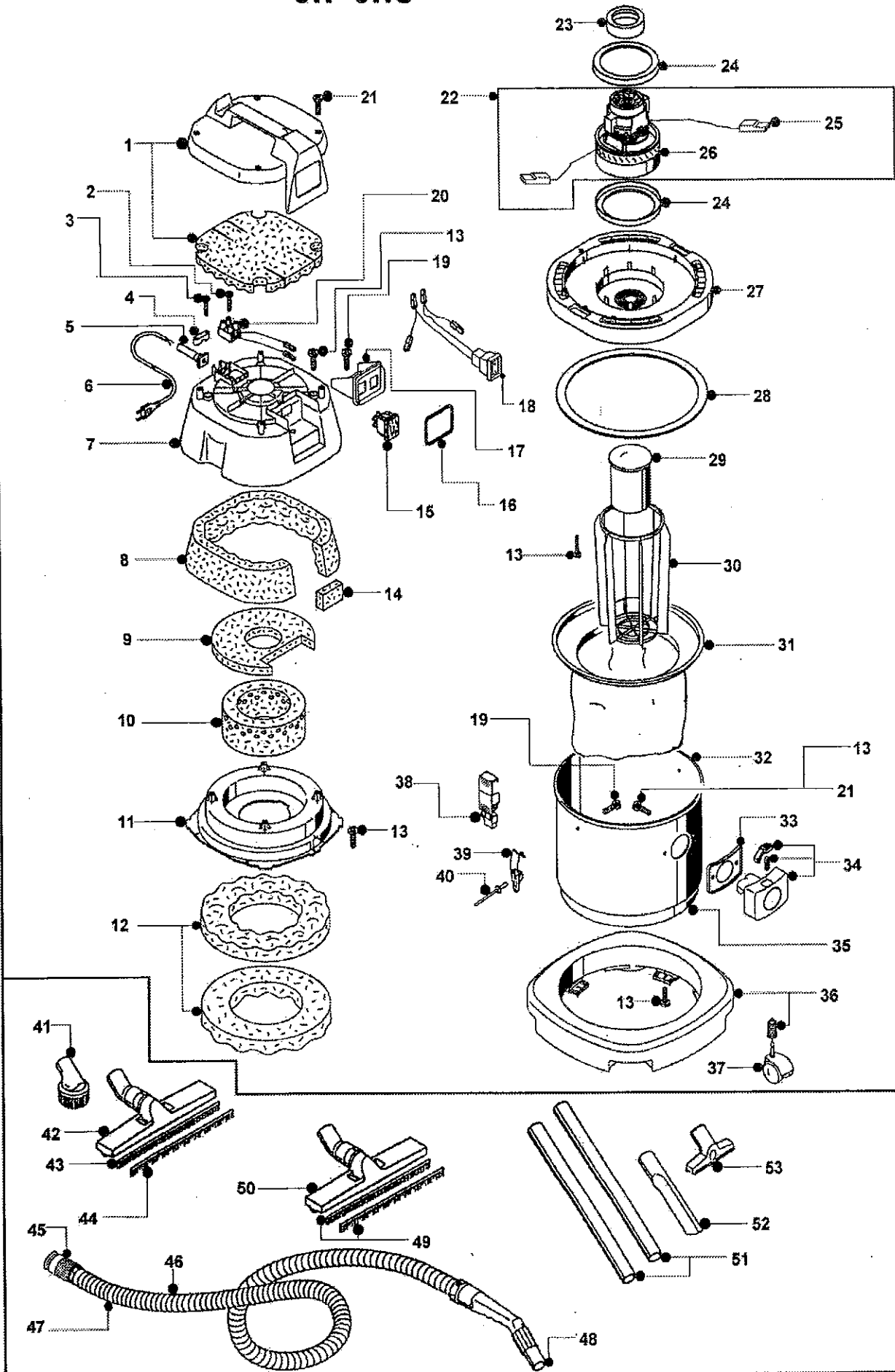


5. Turn on the **VACUUM**, **PUMP**, and **BRUSH** switches.

MAINTENANCE

- Be sure to keep machine filter clean.
- To clean the cloth filter, brush or shake off loose particles or wash in warm water. Make sure to dry completely before reusing. Failure to do so will result in loss of suction.
- Inspect filter periodically to make sure there are no tears.
- Use defoamer when picking up liquids.

5W 5WS



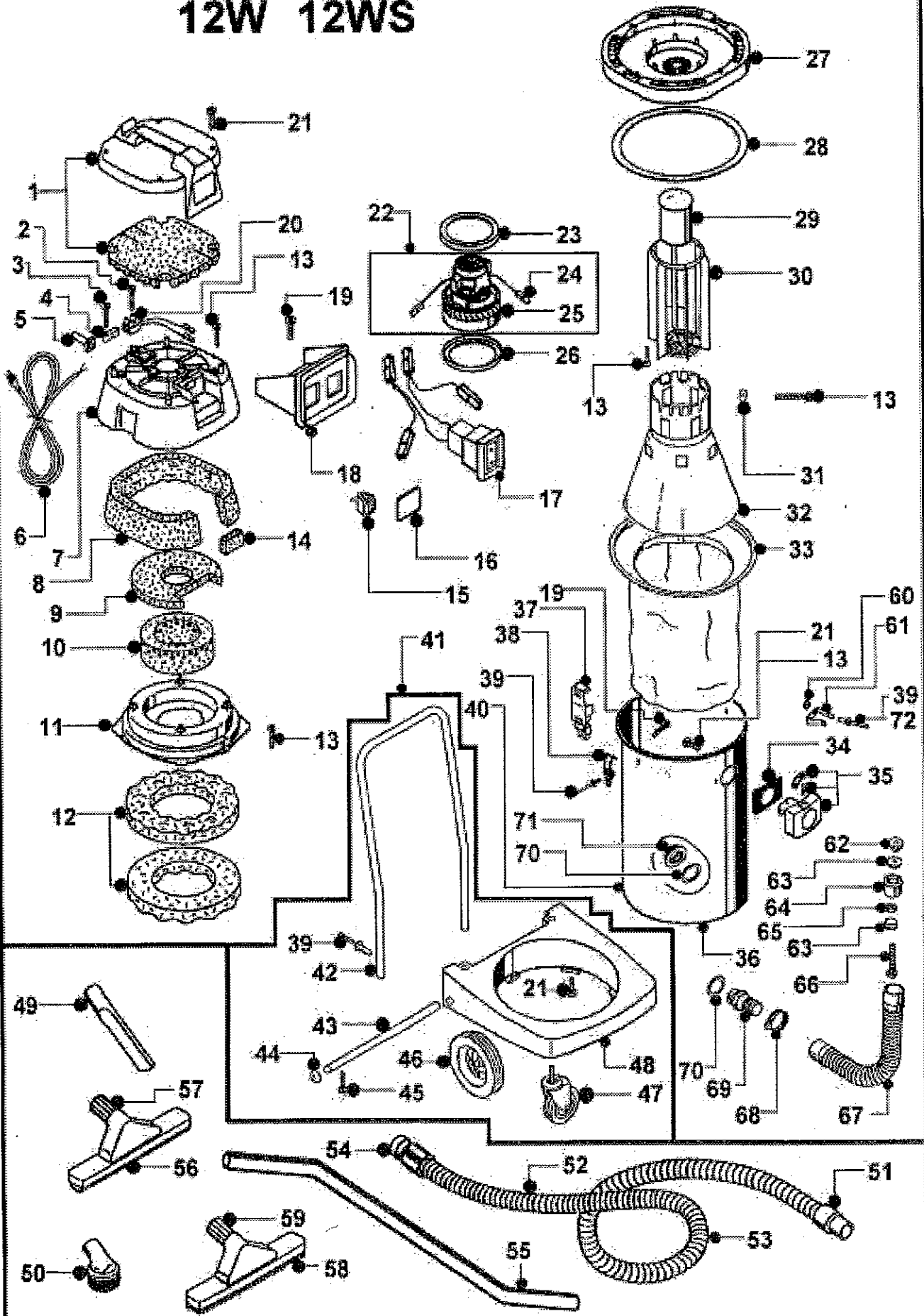
5W and 5WS Parts List

ITEM #	PART #	DESCRIPTION
1	F4071015	VACUUM LID WITH HANDLE
2	C2508500	SCREW 3 X 20 SP
3	C2508213	SCREW 3 X 20 SP
4	B2001340	STRAIN RELIEF
5	B2502001	CABLE PROTECTOR
6	B2507102	POWER CORD
7	F6003324	BLUE COVER WITH INSERTS
8	F3000603	FLEX COVER FILTER
9	F3000602	FOAM, COOLING COVER
10	C3000601	FOAM, WASHER
11	C2009200	FOAM, SEPARATOR
12	F3000600	FOAM, MOTOR BASE
13	C2508570	SCREW, 5 X 16 SP
14	B3000053	PROTECTION, WIRE SET
15	B2506232	ROCKER SWITCH
16	E2502605	GASKET ELECTRICAL BOARD
17	F2009253	ELECTRICAL BOARD
18	B3005026	PLUG, POWER BRUSH
19	C2508560	SCREW, 5 X 13 SP
20	B6100204	TERMINAL BLOCK
21	C2508590	SCREW, 5 X 22 SP
22	G4365105	MOTOR ASSY
23	E2502514	L-GASKET
24	E2502500	MOTOR GASKET
25	B2506369	WIRE SET
26	G2505161	VAC MOTOR
27	F2209115	MOTOR BASE
28	E2502400	MOTOR BASE GASKET
29	F6101100	COMPLETE FLOATER
30	F2000085	FLOATER CAGE
31	L6656000	CLOTH FILTER
32	F2207000	PLASTIC TANK
33	E2502550	INTAKE GASKET
34	D6000205	NYLON INTAKE
35	F2515500	STEEL TANK
36	F3570015	WHEEL BASE
37	G2510151	CASTER WHEEL
38	J6100014	CLAMP ASSY COMPLETE
39	J6100003	LATCH, CLAMP
40	C2508830	RIVET 4.8 X 10
41	F2511540	DUST BRUSH
42	K6010041	FLOOR TOOL COMPLETE
43	K2511955	REFILL, FLOOR TOOL
44	K2511956	REFILL W/ HOLES, FLOOR TOOL
45	J2511408	HOSE CUFF
46	J2511000	8 FT HOSE WITHOUT CUFFS
47	J6010650	8 FT HOSE WITH CUFFS
48	F2511400	HANDLE, D .36 BLACK
49	E2511957	RUBBER LIPS FOR SQUEEGEE TOOL
50	E6010046	SQUEEGEE HEAD TOOL
51	D2511500	WAND TUBE
52	K2511520	CREVICE TOOL
53	F2511530	UPHOLSTERY TOOL

8W and 8WS Parts List

ITEM #	PART #	DESCRIPTION
1	C2508590	SCREW, 5 X 22 SP
2	F4071015	VACUUM LID WITH HANDLE
3	C2508500	SCREW, 3 X 20 SP
4	C2508213	SCREW, 3 X 20 SP
5	B2001340	STRAIN RELIEF
6	B2502001	CABLE PROTECTOR
7	B2507102	POWER CORD
8	F6003324	BLUE COVER WITH INSERTS
9	F3000603	FLEX COVER FILTER
10	F3000602	FOAM, COOLING COVER
11	C3000601	FOAM, WASHER
12	C2009200	FOAM, SEPARATOR
13	F3000600	FOAM, MOTOR BASE
14	C2508570	SCREW, 5 X 16 SP
15	B3000053	PROTECTION, WIRE SET
16	B2506232	ROCKER SWITCH
17	E2502605	GASKET ELECTRICAL BOARD
18	F2009253	ELECTRICAL BOARD
19	C2508560	SCREW, 5 X 13 SP
22	B6100204	TERMINAL BLOCK
23	G2505161	VAC MOTOR
24	G4365105	MOTOR ASSEMBLY
26	E2502500	MOTOR GASKET
28	B2506369	WIRE SET
29	G2502514	L-GASKET
30	F2209115	MOTOR BASE
31	E2502400	MOTOR BASE GASKET
32	F6101100	FLOATER COMPLETE
33	F2000090	FLOATER CAGE
34	D6620185	CLOTH FILTER
35	F2515550	STEEL TANK
36	E2502550	INTAKE GASKET
37	D6000205	NYLON INTAKE
38	F2207010	GREY TANK
39	J6100003	LATCH CLAMP
40	C2508830	RIVE, 4.8 X 10
41	J6100014	CLAMP ASSY COMPLETE
42	F3570015	WHEEL BASE
43	G2510151	CASTER WHEEL
44	F3005026	PLUG, POWER BRUSH
45	K6010000	FLOOR TOOL COMPLETE
46	K2502900	REFILL, FLOOR TOOL
47	E6010011	SQUEEGEE TOOL
48	E2502255	RUBBER LIPS REFILL FOR SQUEEGEE TOOL
49	K2511610	CREVICE TOOL
50	F2511615	DUST BRUSH
51	D2511600	WAND TUBE
52	J2511190	HOSE CUFF
53	J2511210	8 FT. HOSE WITHOUT CUFFS
54	J2511390	HOSE CUFF
55	J6010500	8 FT. HOSE WITH CUFFS

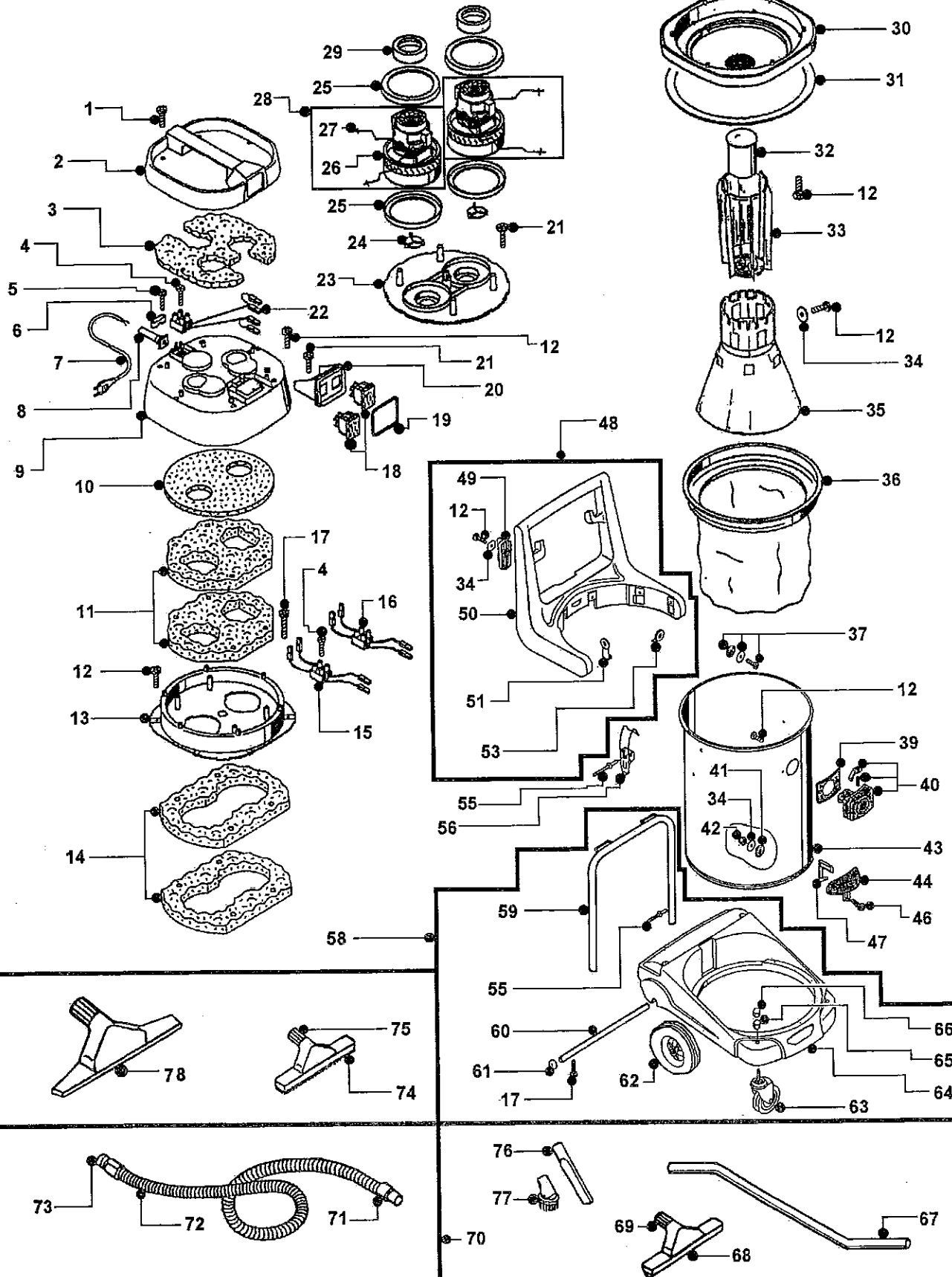
12W 12WS



12W and 12WS Parts List

ITEM #	PART #	DESCRIPTION	ITEM #	PART #	DESCRIPTION
1	F4071015	VACUUM LID WITH HANDLE	61	C2519535	CLIP RING FOR DRAIN HOSE
2	C2508500	SCREW 3 X 20 SP	62	G2519530	WHEEL D.36 M6
3	C2508213	SCREW 3 X 20 SP	63	K2519510	BOTTOM DRAIN PLUG
4	B2001340	STRAIN RELIEF	64	K2519515	DRAIN PLUG
5	B2502001	CABLE PROTECTOR	65	C200634016	NUT
6	B2507102	POWER CORD	66	C2519520	SCREW M6 X 20
7	F6003324	BLUE COVER WITH INSERTS	67	J2519555	FLEX HOSE D.28
8	F3000603	FLEX COVER FILTER	68	C2519091	CLIP
9	F3000602	FOAM, COOLING COVER	69	C2504753	ELBOW
10	C3000601	FOAM, WASHER	70	G2519550	GASKET
11	C2009200	FOAM, SEPARATOR	71	C2519545	COLLAR 1" X DRAIN HOSE
12	F3000600	FOAM, MOTOR BASE	72	C2508833	RIVET 4.8 X 15
13	C2508570	SCREW, 5 X 16 SP	73	K2512610	CARPET TOOL
14	K3000053	ADHESIVE PROTECTION			
15	B2506232	ROCKER SWITCH			
16	E2502605	GASKET ELECTRICAL BOARD			
17	B3005026	POWER BRUSH SOCKET			
18	F2009253	ELECTRICAL BOARD			
19	C2508560	SCREW, 5 X 13 SP			
20	B6100204	TERMINAL BLOCK			
21	C2508591	SCREW, 5 X 22 CP			
22	G4373005	MOTOR ASSY			
23	E2502530	MOTOR GASKET			
24	B2506369	WIRE SET			
25	G2505460	VAC MOTOR			
26	E2502500	GASKET MOTOR			
27	F2209215	MOTOR BASE			
28	E2502405	MOTOR BASE GASKET			
29	F6101100	COMPLETE FLOATER			
30	F2000090	FLOATER CAGE			
31	C2509030	WASHER D. 6 X 24 X 1			
32	L2000095	FILTER BASKET			
33	L6730185	FILTER STEEL CAGE			
34	E2502550	INTAKE GASKET			
35	D6000205	NYLON INTAKE			
36	F6999976	PLASTIC TANK			
37	J6100014	COMPLETE CLAMP			
38	J6100003	STEEL CLAMP			
39	C2508830	RIVET 4.8 X 10			
40	F2515629	STEEL TANK			
41	F6000314	WHEEL BASE ASSY			
42	D2504290	STEEL HANDLE			
43	D2504315	BAR FOR WHEEL			
44	C855000250	CAP 20 X F-18-17			
45	C2508592	SCREW TCC 5 X 32 SP			
46	G2510018	WHEEL D.160			
47	G2510155	CASTER WHEEL			
48	G6003305	WHEEL BASE			
49	K2511610	CREVICE TOOL D.40			
50	F2511615	ROUND BRUSH			
51	K2511390	PVC CUFF			
52	J6010500	COMPLETE HOSE ASSY, 8FT			
53	J2511210	VAC HOSE, 8FT			
54	J2501190	ABS CUFF			
55	D2511600	S-WAND D,40			
56	K2502900	REFILL FOR BRUSH TOOL			
57	K6010000	FLOOR TOOL			
58	E2502255	RUBBER LIPS FOR SQUEEGEE			
59	K6010011	NYLON SQUEEGEE			
60	C2501146	NYLON WASHER			

20W 20WS



20W and 20WS Parts List

ITEM #	PART #	DESCRIPTION	ITEM #	PART #	DESCRIPTION
1	C2508590	SCREW, 5 X 22 SP	62	G2510018	WHEEL D. 160
2	F2209915	HANDLE	63	G2510091	CASTER WHEEL
3	F3000658	FIREFLEX HANDLE	64	F2207615	WHEEL BASE
4	C2508500	SCREW, 3 X 20 SP	65	C2508780	BLIND NUT
5	C2508213	SCREW TC M 3 X 16	66	C2501325	HEXAG TAP
6	B2001340	STRAIN RELIEF	67	D2511600	S-WAND D.40
7	B2507102	CABLE 2 X 16	68	E2502255	RUBBER LIPS FOR SQUEEGEE
8	B2502001	CABLE PROTECTION	69	K6010011	NYLON SQUEEGEE
9	F6003334	COVER WITH INSERTS	70	J6010500	COMPLETE HOSE ASSY, 8FT
10	F3000653	FIREFLEX COVER	71	J2511390	PVC CUFF
11	C3000651	FIREFLEX WASHER	72	J2511210	8FT HOSE
12	C2508570	SCREW TCC 5 X 16 SP	73	J2501190	ABS CUFF
13	C2009300	WASHER SUPERIOR	74	K2502900	REFILL FOR FLOOR TOOL
14	F3000650	FIREFLEX MOTOR BASE	75	K6010000	FLOOR TOOL
15	B6100204	TERMINAL BLOCK 2 POLE CSA BLACK	76	K2511610	CREVICE TOOL
16	B6100222	TERMINAL BLOCK 2 POLE CSA RED	77	F2511615	ROUND BRUSH
17	C2508592	SCREW TCC 5 X 32 SP	78	K2512610	CARPET TOOL
18	B2506232	ROCKER SWITCH			
19	E2502605	GASKET FOR ELECTRICAL BOARD			
20	F20092050	ELECTRICAL BOARD			
21	C2508560	SCREW TCC 5 X 13 SP			
22	B6100229	TERMINAL BLOCK			
23	C2009310	LOWER WASHER			
24	G2001360	VALVE			
25	E2502500	MOTOR GASKET			
26	G2505161	MOTOR			
27	B2506370	WIRE SET			
28	G4375005	MOTOR ASSY			
29	E2502514	L-GASKET			
30	F2209815	MOTOR BASE			
31	E2502410	MOTOR BASE GASKET			
32	F6101100	FLOATER COMPLETE			
33	F2000090	FLOATER CAGE			
34	C2509030	WASHER D.6 X 24 X 1			
35	D2000095	FILTER BASKET			
36	D6830185	FILTER COMPLETE			
37	C6100254	SCREW, WASHER AND RUBBER			
38	F6501040	PLASTIC TANK			
39	E2502550	INTAKE GASKET			
40	D6000205	NYLON INTAKE			
41	E3000231	RUBBER WASHER 26 X 5 X 2			
42	C2508765	BLIND NUT			
43	F2515900	STEEL TANK			
44	F6500010	FRONT HANDLE			
45	C2508230	SCREW TC M 5 X 16			
46	C2508225	SCREW TC M 5 X 12			
47	F2501340	HANDLE LEVEL FRONT RED			
48	F3050015	GRAY HANDLE			
49	K2501390	POST KNOB			
50	F2209255	BLUE TANK HANDLE			
51	D2501374	STEEL SPACER X HANDLE			
52	D2504072	FIXING PLATE			
53	D2501384	STEEL REAR SPACER			
54	F3050115	STEEL HANDLE			
55	C2508830	RIVET			
56	D6100003	COMPLETE CLAMP STEEL			
57	D6100014	COMPLETE CLAMP BLACK			
58	F3550015	GRAY WHEEL BASE			
59	D2504293	STEEL HANDLE			
60	D2504315	WHEEL BASE ROD			
61	C855000250	CAP			



1753 Blake Ave □ Los Angeles, CA 90031 □ (800) 338-3342 or (323) 660-1365 □ Fax (323) 667-0144 □ www.edic-usa.com